


U-series forklift specification

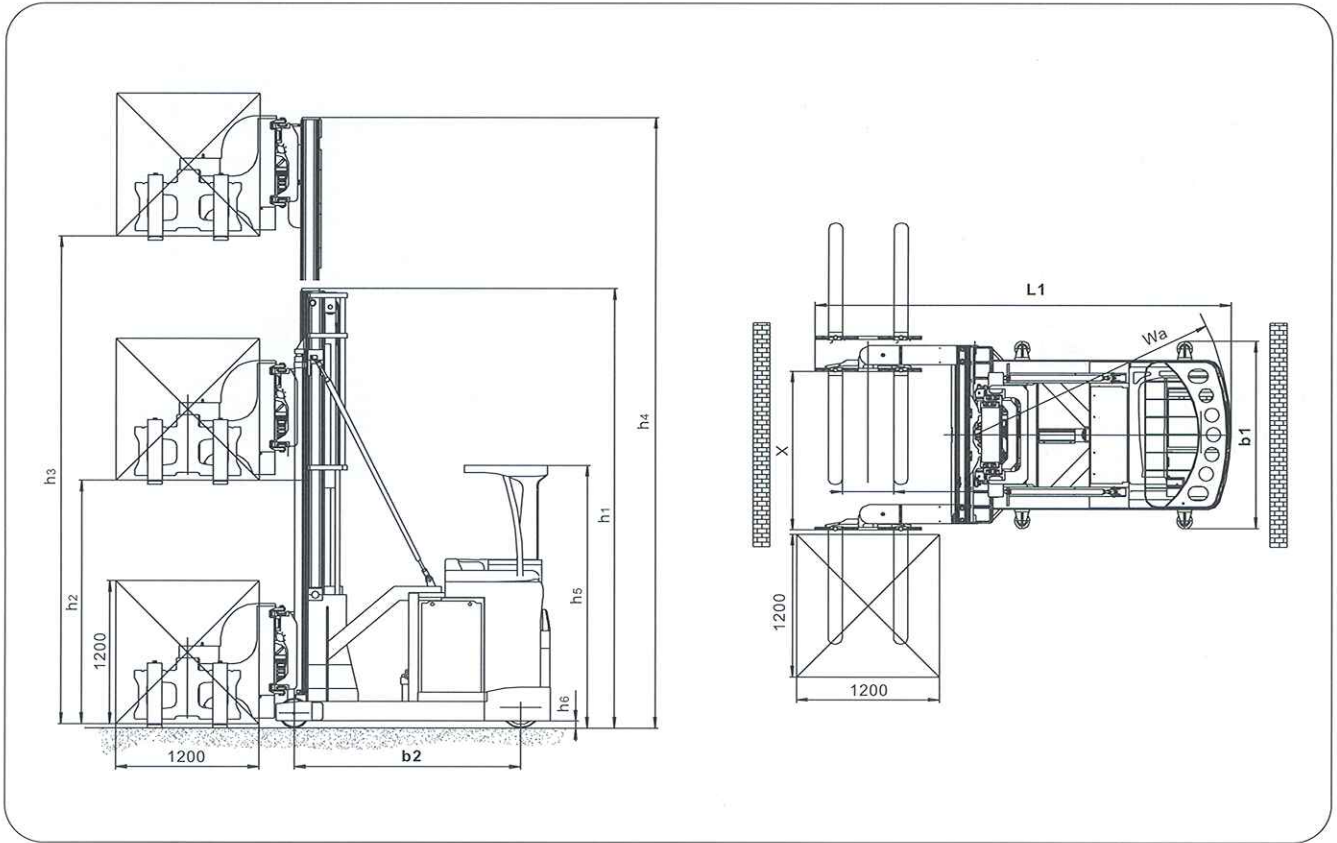
Narrow Aisle Forklift Trucks(VNA) (1.0t)

MAIN SPECIFICATIONS

Performance	1	Manufacturer		1	
	2	Model	FBAP10	2	
	3	Power	Battery	3	
	4	Operation	Sit-on	4	
	5	Rated Load	1000	5	
	6	Rated Lift Height	h3 (mm)	8000	6
	7	Load Center	C (mm)	600	7
	8	Max.TurningSpeed (full load)	(km/h)	9	8
		Max.TurningSpeed (no load)	(km/h)	10	
	9	Lifting Speed (full load)	(mm/s)	220	9
		Lifting Speed (no load)	(mm/s)	310	
	10	Max. Gradeability (full load)	(%)	>10	10
	11	Min. Turing Radius	wa(mm)	2150	11
	12	Side Shifter (max./min.)	X (mm)	1340/1290	12
	13	Fork Side Time	s	8	13
	14	Fork Rotation Angle	Deg	180	14
15	Fork Rotation Time	s	8	15	
16	Braking		Electronic	16	
Dimension	17	Overall Length	l1 (mm)	4140/3495	17
	18	Overall Width	b1(mm)	1580	18
	19	Mast Lowered Height	h1(mm)	3700	19
	20	Free Lifting Height	h2(mm)	2667	20
	21	Mast Extended Height	h4 (mm)	9050	21
	22	Over Heand Guard Height	h5 (mm)	2210	22
	23	Fork (L×W×T)	(mm)	920×120×35	23
	24	Min. Ground Clearance	h6 (mm)	60	24
	25	Piled Passageway Width	(mm)	1700	25
	26	Total Weight	(kg)	3900+1300(battery)	26
Drive	27	Driving Motor	(Kw)	6	27
	28	Lifting Motor	(Kw)	11	28
	29	Battery (5h discharge volumn)	(V/Ah)	48/840	29
Tyre	30	Tyre		Polyurethane tyre	30
	31	Front Wheel Size		250×110×4	31
	32	Driving Wheel Size		343×135	32
	33	Balance Wheel Size		130×50×4	33
	34	Wheel Distance (Front)	b2 (mm)	1900	34
Others	35	Tuning Model		Electronic	35
	36	Height Control		Automatic	36
	37	Controller		ZAPI	37

Specifications and characteristics are subject to change without notice.
Please contact us for detailed information.

UN Forklift retains the right to interpret.



MAST SPECIFICATIONS & RATED CAPACITIES

Mast Type	Mast Name	Max. Fork Height (mm)	Load Capacity (Load Centre 500mm) (kg)	Overall Height (mm)			Free Lift (mm)		Total Weight (kg)
				Lowered	Extended		Without Backrest	With Backrest	
					Without Backrest	With Backrest			
			1.0t	1.0t			1.0t		1.0t
Wide View Full Free 3 Stage Mast	VTFM600	6000	1000	3034	7032.5	7046	1995	2045.5	5650
	VTFM700	7000	1000	3368	8032.5	8046	2161	2211.5	5800
	VTFM800	8000	1000	3700	9032.5	9046	2329	2379.5	6000
	VTFM900	9000	800	4034	10032.5	10046	2495	2545.5	6250