


U-series forklift specification

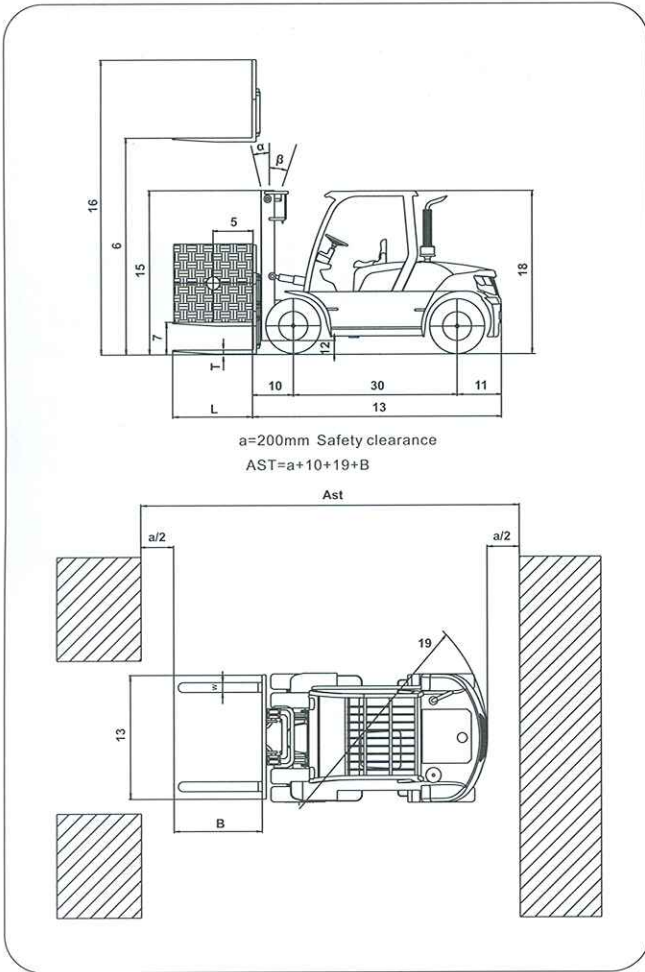
Diesel Forklift Trucks(8.0t / 9.0t / 10.0t)

MAIN SPECIFICATIONS

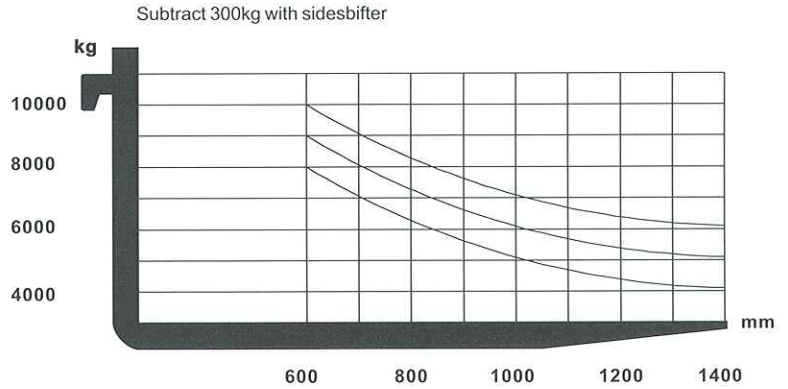
													
General	1	Manufacturer									1		
	2	Model		FD80T-JF	FD90T-JF	FD100T-JF	FD80T-JI	FD90T-JI	FD100T-JI	2			
	3	Power Type		Diesel			Diesel			3			
	4	Rated Capacity		kg	8000	9000	10000	8000	9000	10000	4		
	5	Load Centre		mm	600			600			5		
Characteristic&Dimension	6	Lift height		mm	3000			3000			6		
	7	Free Lift Height		mm	200			200			7		
	8	Fork size		L×W×T	mm	1220×175×70	1220×175×80	1220×175×80	1220×175×70	1220×175×80	1220×175×80	8	
	9	Mast tilt angle		F/R (α°/β°)	Deg	6°/12°			6°/12°			9	
	10	Fork overhang (Wheel center to fork face)		mm	700	710	710	700	710	710	10		
	11	Rear Overhang		mm	740	760	760	740	760	760	11		
	12	Ground clearance (Bottom of mast)		mm	250			250			12		
	13	Overall Dimensions	Length to face of fork (Without fork)		mm	4040	4270	4270	4040	4270	4270	13	
	14		Overall width		mm	2165			2165			14	
	15		Mast lowered height		mm	2960	3109	3109	2960	3109	3109	15	
	16		Mast extended height (With backrest)		mm	3865	4015	4015	3865	4015	4015	16	
	17		Side shift		mm	340-2000	440-2140	440-2140	340-2000	440-2140	440-2140	17	
	18		Overhead guard height		mm	2590	2610	2610	2590	2610	2610	18	
	19	Turning radius (outside)		mm	3700	3900	3900	3700	3900	3900	19		
20	Min.right angle stacking aisle width (add load length and clearance)		mm	3310	3550	3550	3310	3550	3550	20			
Performance	21	Speed	Travel (NO load)		km/h	28	30	30	28	30	30	21	
	22		Lifting (Full load)		mm/sec	380	310	310	380	310	310	22	
	23		Lowering (Full load)		mm/sec	480	500	500	480	500	500	23	
	24	Max.Drawbar pull (Full load)		KN	58	57	57	58	57	57	24		
	25	Max.Gradeability (Full load)		%	≤20	≤20	≤20	≤20	≤20	≤20	25		
Chassis	26	Types	Front		mm	8.25-15-14PR	9.00-20-14PR	9.00-20-14PR	8.25-15-14PR	9.00-20-14PR	9.00-20-14PR	26	
	27		Rear		mm	8.25-15-14PR	9.00-20-14PR	9.00-20-14PR	8.25-15-14PR	9.00-20-14PR	9.00-20-14PR	27	
	28	Tread	Front		mm	1600			1600			28	
	29		Rear		mm	1700			1700			29	
	30	Wheelbase		mm	2500	2800	2800	2500	2800	2800	30		
Weight	31	Total weight		kg	11850	12200	12900	11850	12200	12900	31		
	32	Weight Distribution	Full Load	Front		kg	17800	19980	20610	17800	19980	20610	32
	33			Rear		kg	2050	2220	2290	2050	2220	2290	33
	34		No Load	Front		kg	4740	5380	5660	4740	5380	5660	34
	35			Rear		kg	7110	6820	8240	7110	6820	8240	35
Power&Transmission	36	Battey		Voltage/Capacity	V/Ah	24/90			24/90			36	
	37	Engine	Model			A-6BG1QC			QSB4.5			37	
	38		Manufacturer			ISUZU			CUMMINS			38	
	39		Rated output/r.p.m.		kw	82/2000			82/2200			39	
	40		Rated torque/r.p.m.		N·m	416/1400—1600			489/1500			40	
	41		No.of cylinder			6			4			41	
	42		Bore×Stroke		mm	105×125			/			42	
	43		Displacement		L	4.494			4.5			43	
	44		Fuel tank capacity		L	140			140			44	
	45	Transmission	Type			Powershift			Powershift			45	
	46		Stage		FWD/RVS		2/2			2/2			46
	47	Operating pressure (For attachments)		Mpa	17			17			47		

Specifications and characteristics are subject to change without notice. Please contact us for detailed information.

UN Forklift retains the right to interpret.



Load chart



MAST SPECIFICATIONS & RATED CAPACITIES

Mast Type	Mast Name	Max. Fork Height (mm)	Load Capacity (Load Centre 600mm) (kg)			Overall Height (mm)		Free Lift (mm)	Overall Height (mm)		Free Lift (mm)	Tilt Angle (F/B)	Total Weight (kg)		
						Lowered	Extended		Lowered	Extended					
			FD80T	FD90T	FD100T	8T		8T	9T/10T		9T/10T	FD80T	FD90T	FD100T	
Wide View Mast	M250	2500	8000	9050	10000	2450	3565	-	2550	3715	-	6-12	10870	11450	11850
	M270	2700	8000	9050	10000	2550	3715	-	2700	3865	-	6-12	10920	11600	12000
	M300	3000	8000	9050	10000	2700	3865	-	2850	4015	-	6-12	10960	11750	12150
	M330	3300	8000	9050	10000	2850	4165	-	3000	4315	-	6-12	11020	11815	12215
	M350	3500	8000	9050	10000	2950	4365	-	3100	4515	-	6-12	11060	11860	12260
	M375	3750	8000	9050	10000	3075	4465	-	3225	4615	-	6-12	11100	11910	12310
	M400	4000	8000	9050	10000	3250	4650	-	3400	4800	-	6-12	11310	12050	12450
	M425	4250	8000	9050	10000	3375	4850	-	3525	5000	-	6-12	11360	12110	12510
	M450	4500	8000	9050	10000	3500	5100	-	3650	5250	-	6-12	11400	12160	12560
	M475	4750	7750	8050	10000	3625	5400	-	3775	5450	-	6-6	11450	12220	12620
	M500	5000	7750	8050	10000	3750	5700	-	3900	5800	-	6-6	11500	12270	12670
M550	5500	7400	8030	9000	4050	6100	-	4200	6250	-	3-6	11740	12510	12910	
M600	6000	7000	8015	8000	4300	6450	-	4450	6600	-	3-6	11830	12620	13020	
Wide View Full Free3 Stage Mast	TFM360	3600	7000	7800	8000	2450	4410	1290	2570	4550	1200	6-12	11350	12180	12580
	TFM400	4000	7000	7800	8000	2575	4650	1415	2700	4800	1320	6-12	11420	12240	12640
	TFM435	4350	7000	7800	8000	2700	4950	1540	2820	5050	1440	6-12	11490	12300	12700
	TFM480	4800	7000	7200	7500	2850	5450	1690	2820	5500	1600	6-6	11570	12360	12760
	TFM500	5000	7000	7200	7500	2950	5700	1790	3035	5800	1660	6-6	11640	12410	12810
	TFM540	5400	6600	6800	7000	3075	5950	1915	3225	6150	1850	3-6	11710	12480	12880
	TFM600	6000	6000	6000	6000	3375	6400	2215	3425	6600	2050	3-6	12050	12560	12960
	TFM650	6500	5000	5200	5500	3600	6750	2440	3675	6950	2250	3-6	12150	12860	13260
TFM700	7000	4500	4600	4800	3750	7100	2590	3975	7300	2600	3-6	12240	13160	13560	