


U-series forklift specification

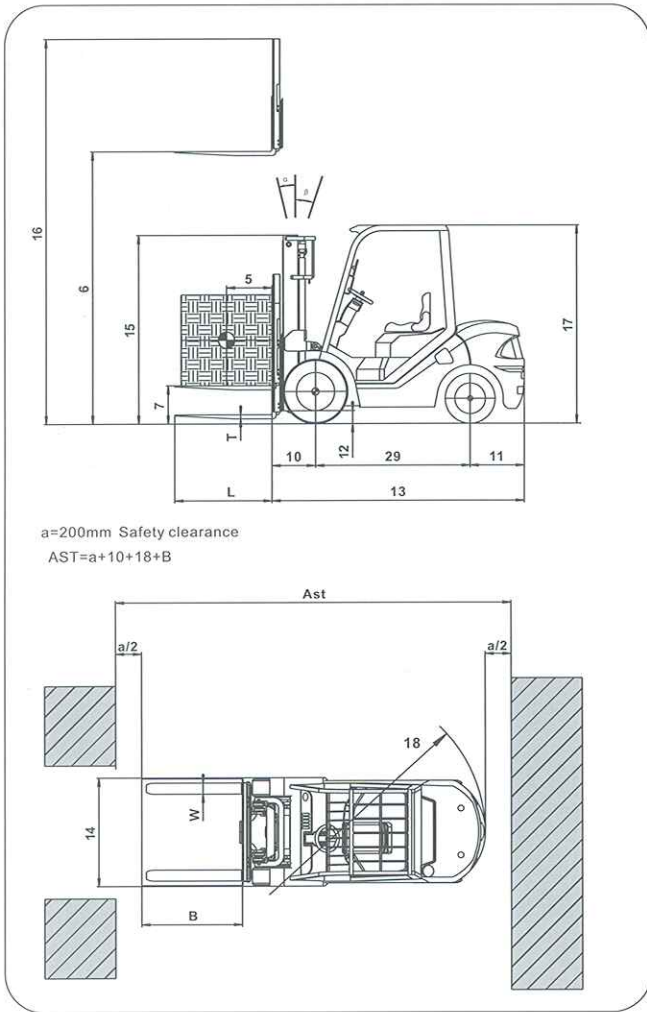
Gasoline / LPG Forklift Trucks(1.0t / 1.5t / 1.8t)

MAIN SPECIFICATIONS

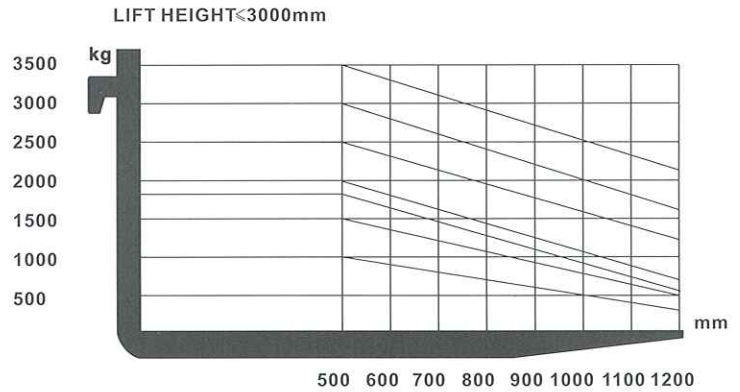
									
General	1	Manufacturer				1			
	2	Model		FG10T-JB	FG15T-JB	FG18T-JB			
				(FGL10T-JB)	(FGL15T-JB)	(FGL18T-JB)			
	3	Power Type		Gasoline/LPG	Gasoline/LPG	Gasoline/LPG			
	4	Rated Capacity		kg	1000	1500	1800		
5	Load Centre		mm	500					
Characteristic&Dimension	6	Lift height		mm	3000				
	7	Free Lift Height		mm	135	135	135		
	8	Fork size	L×W×T	mm	920×120×35	920×120×35	920×120×35		
	9	Mast tilt angle	F/R (α°/β°)	Deg	6°/12°				
	10	Fork overhang (Wheel center to fork face)		mm	400	400	400		
	11	Rear Overhang		mm	450	450	490		
	12	Ground Clearance (Bottom of mast)		mm	110	110	110		
	13	Overall Dimensions	Length to face of fork(Without fork)		mm	2250	2280	2310	
	14		Overall width		mm	1090	1090	1090	
	15		Mast lowered height		mm	2015	2015	2015	
	16		Mast extended height(With backrest)		mm	4030	4030	4030	
	17		Overhead guard height		mm	2095	2095	2095	
	18	Turning radius (outside)		mm	2030	2030	2060		
19	Min.right angle stacking aisle width (add load length and clearance)		mm	1800	1825	1857			
Performance	20	Speed	Travel (No load)		km/h	14.5	14.5	14.5	
	21		Lifting(Full load)		mm/sec	520	520	520	
	22		Lowering(Full load)		mm/sec	450	450	450	
	23	Max.Drawbar pull (Full load)		KN	21(17.8)	21(17.8)	21(17.8)		
	24	Max.Gradeability (Full load)		%	20	20	20		
Chassis	25	Tyres	Front		mm	6.50-10-10PR	6.50-10-10PR	6.50-10-10PR	
	26		Rear		mm	5.00-8-10PR	5.00-8-10PR	5.00-8-10PR	
	27	Tread	Front		mm	890	890	890	
	28		Rear		mm	920	920	920	
	29	Wheelbase		mm	1410	1410	1410		
Weight	30	Total weight		kg	2340	2590	2800		
	31	Weight Distribution	Full Load	Front		kg	2900	3610	4055
	32			Rear		kg	440	480	545
	33		No Load	Front		kg	1050	1160	1170
34	Rear			kg	1290	1430	1630		
Power&Transmission	35	Battery	Voltage/Capacity		V/Ah	12/60	12/60	12/60	
	36	Engine	Model			K21			
	37		Manufacturer			NISSAN			
	38		Rated output/r.p.m.		kw	31.5/2300			
	39		Rated torque/r.p.m.		N·m	144/1600			
	40		No.of cylinder			4			
	41		Bore×Stroke		mm	89×83			
	42		Displacement		cc	2065			
	43		Fuel tank capacity		L	45	45	45	
	44	Transmission	Type			Powershift (Manual)	Powershift (Manual)	Powershift (Manual)	
45	Stage		FWD/RVS		1/1(2/2)	1/1(2/2)	1/1(2/2)		
46	Operating pressure (For attachments)		Mpa	14.5	14.5	14.5			

Specifications and characteristics are subject to change without notice.
Please contact us for detailed information.

UN Forklift retains the right to interpret.



Load chart



MAST SPECIFICATIONS & RATED CAPACITIES


Mast Type	Mast Name	Max. Fork Height (mm)	Load Capacity (Load Centre 500mm) (kg)			Overall Height (mm)			Free Lift (mm)		Tilt Angle (Single) (F/R)	Tilt Angle (Double) (F/R)	Total Weight (kg)		
						Lowered	Extended		Without Backrest	With Backrest					
			Without Backrest	With Backrest	Without Backrest		With Backrest	FG10T/FGL10T					FG15T/FGL15T	FG18T/FGL18T	
Wide View Mast	M200	2000	1000	1500	1800	1515	2510	3030	135	135	6-12	2260	2500	2710	
	M250	2500	1000	1500	1800	1765	3010	3530	135	135	6-12	2300	2550	2760	
	M300	3000	1000	1500	1800	2015	3510	4030	135	135	6-12	2340	2590	2800	
	M330	3300	1000	1500	1800	2165	3810	4330	135	135	6-12	2370	2620	2820	
	M350	3500	1000	1500	1800	2265	4010	4530	135	135	6-12	2400	2650	2840	
	M370	3700	1000	1500	1800	2365	4210	4730	135	135	6-6	2420	2670	2865	
	M400	4000	1000	1500	1750	2565	4510	5030	135	135	6-6	*6-12	2450	2700	2900
	M425	4250	950	1300	1650	2690	4760	5280	135	135	6-6	*6-12	2480	2720	2930
	M450	4500	900	1250	1550	2815	5010	5530	135	135	6-6	*6-12	2500	2750	2950
	M500	5000	880	950	1050	3115	5510	6030	135	135	6-6	*6-6	2550	2800	3000
M550	5500	700	800	900	3365	6010	6530	135	135	3-6	*3-6	2585	2840	3040	
M600	6000	500	600	700	3615	6510	7030	135	135	3-6	*3-6	2630	2880	3090	
Wide View Full Free 2 Stage Mast	FM250	2500	1000	1500	1800	1765	3015	3585	1310	775	6-12	2340	2580	2800	
	FM300	3000	1000	1500	1800	2015	3515	4085	1560	1025	6-12	2380	2630	2840	
	FM330	3300	1000	1500	1800	2165	3815	4385	1710	1175	6-12	2400	2650	2865	
	FM350	3500	1000	1500	1800	2265	4015	4585	1810	1275	6-12	2420	2665	2890	
	FM370	3700	1000	1500	1800	2365	4215	4785	1910	1375	6-6	2430	2690	2910	
	FM400	4000	1000	1500	1800	2565	4515	5085	2110	1575	6-6	*6-12	2450	2720	2940
Wide View Full Free 3 Stage Mast	TFM435	4350	850	1250	1550	1965	4910	5380	1570	1035	6-6	*6-6	2530	2775	2985
	TFM450	4500	850	1200	1500	2065	5060	5530	1610	1075	6-6	*6-6	2555	2790	3000
	TFM470	4700	830	1180	1400	2115	5260	5730	1660	1125	6-6	*6-6	2575	2800	3015
	TFM500	5000	750	900	1200	2215	5560	6030	1760	1225	6-6	*6-6	2615	2830	3040
	TFM550	5500	650	800	1000	2385	5960	6430	1960	1425	3-6	*3-6	2660	2880	3100
	TFM600	6000	500	600	700	2615	6560	7030	2160	1625	3-6	*3-6	2700	2920	3140

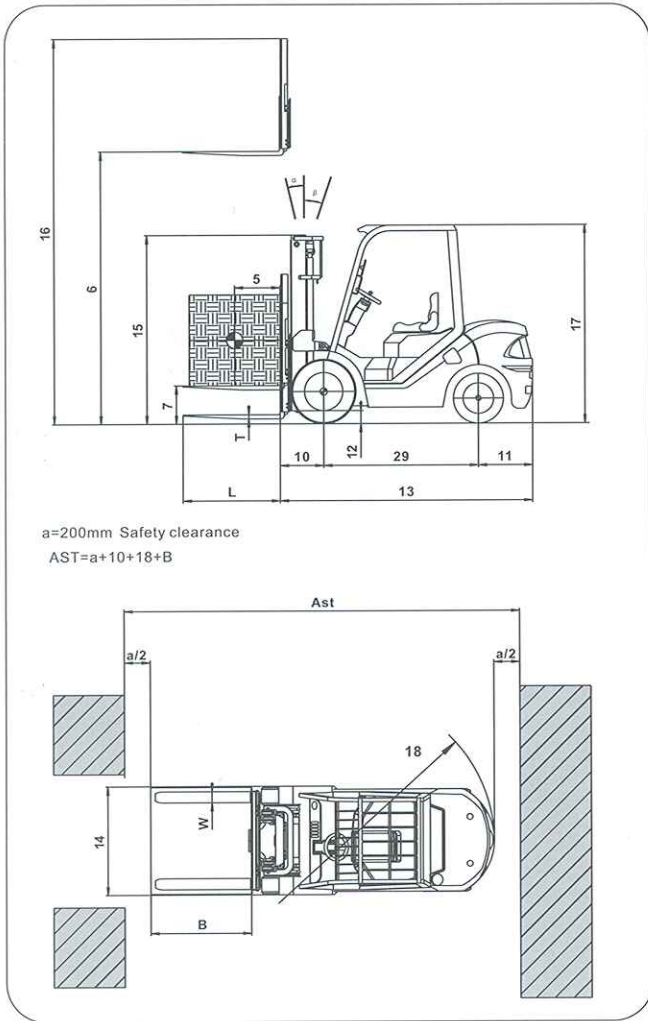
NOTE: 1. For diesel, gas model: -90kg, dual wheels weight: +110kg.
2. * (Front wheel) is dual wheels load capacity.

U-series forklift specification

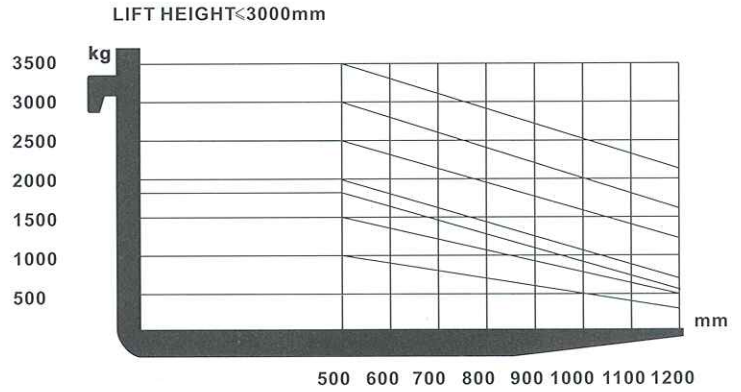
Gasoline / LPG Forklift Trucks(2.0t / 2.5t)

MAIN SPECIFICATIONS

General	1	Manufacturer					1	
	2	Model			FG20T-JA (FGL20T-JA)	FG25T-JA (FGL25T-JA)	2	
	3	Power Type			Gasoline/LPG	Gasoline/LPG	3	
	4	Rated Capacity		kg	2000	2500	4	
	5	Load Centre		mm	500		5	
Characteristic&Dimension	6	Lift height		mm	3000		6	
	7	Free Lift Height		mm	125	125	7	
	8	Fork size	L×W×T	mm	1070×125×40	1070×125×40	8	
	9	Mast tilt angle	F/R (α°/β°)	Deg	6°/12°		9	
	10	Fork overhang (Wheel center to fork face)		mm	473	473	10	
	11	Rear Overhang		mm	520	520	11	
	12	Ground clearance (Bottom of mast)		mm	130	130	12	
	13	Overall Dimensions	Length to face of fork(Without fork)		mm	2643	2643	13
	14		Overall width		mm	1150	1150	14
	15		Mast lowered height		mm	2045	2045	15
	16		Mast extended height(With backrest)		mm	4145	4145	16
	17		Overhead guard height		mm	2165	2165	17
	18	Turning radius (outside)		mm	2365	2365	18	
19	Min.right angle stacking aisle width (add load length and clearance)		mm	2075	2075	19		
Performance	20	Speed	Travel (No load)		km/h	21	21	20
	21		Lifting(Full load)		mm/sec	490	490	21
	22		Lowering(Full load)		mm/sec	450	450	22
	23	Max.Drawbar pull (Full load)		KN	22(18)	22(18)	23	
	24	Max.Gradeability (Full load)		%	20	20	24	
Chassis	25	Tyres	Front	mm	7.00-12-12PR	7.00-12-12PR	25	
	26		Rear	mm	6.00-9-10PR	6.00-9-10PR	26	
	27	Tread	Front	mm	970	970	27	
	28		Rear	mm	980	980	28	
	29	Wheelbase		mm	1650	1650	29	
Weight	30	Total weight		kg	3450	3620	30	
	31	Weight Distribution	Full Load	Front	kg	4856	5372	31
	32			Rear	kg	594	748	32
	33		No Load	Front	kg	1507	1492	33
	34			Rear	kg	1943	2128	34
Power&Transmission	35	Battery	Voltage/Capacity		V/Ah	12/60	12/60	35
	36	Engine	Model			K25		36
	37		Manufacturer			NISSAN		37
	38		Rated output/r.p.m.		kw	44.2/2500		38
	39		Rated torque/r.p.m.		N·m	186.2/1600		39
	40		No.of cylinder			4		40
	41		Bore×Stroke		mm	92×93		41
	42		Displacement		cc	2472		42
	43		Fuel tank capacity		L	50	50	43
	44	Transmission	Type			Powershift (Manual)	Powershift (Manual)	44
	45		Stage	FWD/RVS			1/1(2/2)	1/1(2/2)
	46	Operating pressure (For attachments)		Mpa	17.5	17.5	46	



Load chart



MAST SPECIFICATIONS & RATED CAPACITIES


Mast Type	Mast Name	Max. Fork Height (mm)	Load Capacity (Load Centre 500mm) (kg)				Overall Height (mm)			Free Lift (mm)		Tilt Angle (Single) (F/R)	Tilt Angle (Double) (F/R)	Total Weight (kg)	
			FG20T/FGL20T (Single)	FG20T/ FGL20T (Double)	FG25T/FGL25T (Single)	FG25T/ FGL25T (Double)	Lowered	Extended		Without Backrest	With Backrest			FG20T/FGL20T	FG25T/FGL25T
								Without Backrest	With Backrest						
Wide View Mast	M200	2000	2000	2500	1545	2665	3145	140	140	6-12	3370	3540			
	M250	2500	2000	2500	1795	3165	3645	140	140	6-12	3410	3590			
	M300	3000	2000	2500	2045	3665	4145	140	140	6-12	3450	3620			
	M330	3300	2000	2500	2195	3965	4445	140	140	6-12	3475	3655			
	M350	3500	2000	2500	2295	4165	4645	140	140	6-12	3490	3660			
	M370	3700	2000	2500	2395	4365	4865	140	140	6-6	3500	3675			
	M400	4000	2000	2450	2595	4665	5145	140	140	6-6	*6-12	3530	3705		
	M425	4250	1850	2150	2720	4915	5395	140	140	6-6	*6-12	3550	3730		
	M450	4500	1800	*1900	2000	*2400	2840	5165	5645	140	140	6-6	*6-12	3570	3760
	M500	5000	1300	*1700	1600	*2100	3145	5665	6145	140	140	6-6	*6-6	3610	3800
M550	5500	1100	*1500	1350	*1700	3395	6165	6645	140	140	3-6	*3-6	3650	3850	
M600	6000	950	*1300	1050	*1500	3645	6665	7145	140	140	3-6	*3-6	3690	3900	
Wide View Full Free 2 Stage Mast	FM250	2500	2000	2500	1795	3175	3660	1215	680	6-12	3460	3595			
	FM300	3000	2000	2500	2045	3675	4160	1465	930	6-12	3490	3635			
	FM330	3300	2000	2500	2195	3975	4460	1615	1080	6-12	3515	3655			
	FM350	3500	2000	2500	2295	4175	4660	1715	1180	6-12	3530	3670			
	FM370	3700	2000	2500	2395	4375	4860	1815	1285	6-6	3545	3690			
	FM400	4000	2000	2500	2595	4675	5160	2065	1535	6-6	*6-12	3570	3725		
Wide View Full Free 3 Stage Mast	TFM435	4350	1850	*1900	2200	*2400	2010	5030	5510	1475	940	6-6	*6-6	3590	3890
	TFM450	4500	1700	*1800	2000	*2300	2120	5180	5660	1515	980	6-6	*6-6	3600	3910
	TFM470	4700	1600	*1750	1900	*2200	2160	5380	5860	1565	1030	6-6	*6-6	3630	3930
	TFM500	5000	1400	*1600	1500	*2000	2260	5680	6160	1665	1130	6-6	*6-6	3670	3980
	TFM550	5500	1100	*1500	1200	*1800	2440	6080	6560	1865	1330	3-6	*3-6	3710	4020
	TFM600	6000	800	*1400	850	*1600	2660	6680	7160	2065	1530	3-6	*3-6	3750	4065

NOTE:1. For diesel, gas model: -90kg, dual wheels weight: +110kg.
 2. * (Front wheel) is dual wheels load capacity.

U-series forklift specification

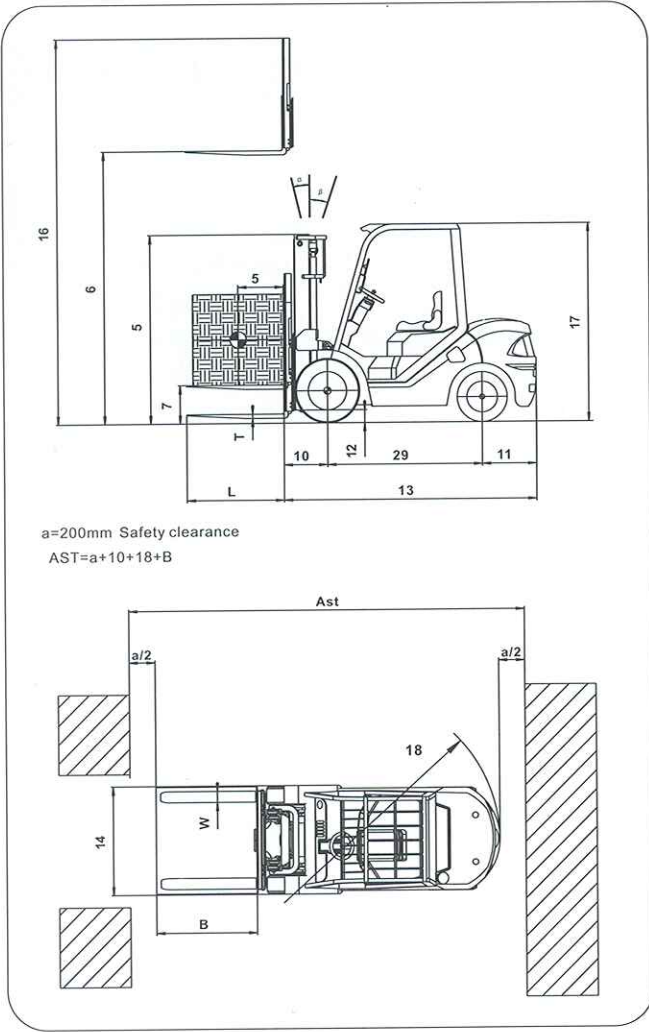
Gasoline / LPG Forklift Trucks(3.0t / 3.5t)

MAIN SPECIFICATIONS

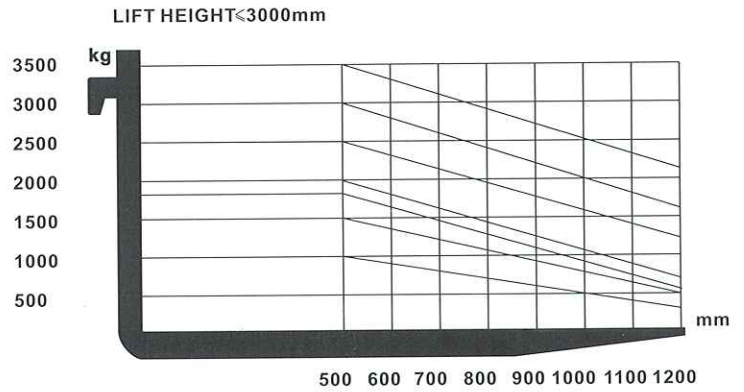
General	1	Manufacturer					1	
	2	Model			FG30T-JA	FG35T-JA	2	
					(FGL30T-JA)	(FGL35T-JA)		
	3	Power Type			Gasoline/LPG	Gasoline/LPG	3	
	4	Rated Capacity		kg	3000	3500	4	
5	Load Centre		mm	500		5		
Characteristic&Dimension	6	Lift height		mm	3000		6	
	7	Free Lift Height		mm	140	140	7	
	8	Fork size	L×W×T	mm	1070×125×45	1070×125×50	8	
	9	Mast tilt angle	F/R (α°/β°)	Deg	6°/12°		9	
	10	Fork overhang (Wheel center to fork face)		mm	478	478	10	
	11	Rear Overhang		mm	595	635	11	
	12	Ground clearance (Bottom of mast)		mm	145	145	12	
	13	Overall Dimensions	Length to face of fork(Without fork)		mm	2773	2813	13
			Overall width		mm	1225	1225	14
			Mast lowered height		mm	2060	2060	15
			Mast extended height(With backrest)		mm	4160	4160	16
			Overhead guard height		mm	2185	2185	17
	18	Turning radius (outside)		mm	2450	2480	18	
	19	Min.right angle stacking aisle width (add load length and clearance)		mm	2160	2160	19	
Performance	20	Travel (NO load)		km/h	19	19	20	
		Lifting(Full load)		mm/sec	390	360		
		Lowering(Full load)		mm/sec	450	450		
	23	Max.Drawbar pull (Full load)		KN	22(18)	22(18)	23	
24	Max.Gradeability (Full load)		%	20	18	24		
Chassis	25	Tyres		mm	28×9-15-12PR	28×9-15-12PR	25	
		Rear		mm	6.50-10-10PR	6.50-10-10PR		
	27	Tread		mm	1000	1000	27	
		Rear		mm	980	980		
	29	Wheelbase		mm	1700	1700	29	
Weight	30	Total Weight		kg	4310	4750	30	
	31	Weight Distribution	Full Load	Front	kg	6490	7320	31
				Rear	kg	820	930	
			No Load	Front	kg	1764	2040	33
Rear				kg	2546	2710		
Power&Transmission	35	Battery		V/Ah	12/60	12/60	35	
	36	Model			K25		36	
	37	Manufacturer			NISSAN		37	
	38	Rated output/r.p.m.		kw	44.2/2500		38	
	39	Rated torque/r.p.m.		N·m	186.2/1600		39	
	40	No.of cylinder			4		40	
	41	Bore×Stroke		mm	92×93		41	
	42	Displacement		cc	2472		42	
	43	Fuel tank capacity		L	50	50	43	
	44	Transmission		Type		Powershift (Manual)	Powershift (Manual)	44
Stage				FWD/RVS	1/1(2/2)	1/1(2/2)		
45	Operating pressure (For attachments)		Mpa	17.5	17.5	46		

Specifications and characteristics are subject to change without notice.
Please contact us for detailed information.

UN Forklift retains the right to interpret.



Load chart



MAST SPECIFICATIONS & RATED CAPACITIES

Mast Type	Mast Name	Max. Fork Height (mm)	Load Capacity (Load Centre 500mm) (kg)				Overall Height (mm)						Free Lift (mm)				Tilt Angle (Single) (F/R)	Tilt Angle (Double) (F/R)	Total Weight (kg)			
			FG30T/FGL30T (Single/Double)		FG35T/FGL35T (Single/Double)		Lowered	Extended		Lowered	Extended		Without Backrest	With Backrest	Without Backrest	With Backrest			3t	3.5t	FG30T/FGL30T	FG35T/FGL35T
			3t	3.5t	3t	3.5t																
Wide View Mast	M200	2000	3000		3500		1560	2680	3160	1560	2680	3160	145	145	150	150	6-12		4235	4680		
	M250	2500	3000		3500		1810	3180	3660	1810	3180	3660	145	145	150	150	6-12		4270	4710		
	M300	3000	3000		3500		2060	3680	4160	2060	3680	4160	145	145	150	150	6-12		4310	4750		
	M330	3300	3000		3500		2210	3980	4460	2210	3980	4460	145	145	150	150	6-12		4330	4770		
	M350	3500	3000		3500		2310	4180	4660	2310	4180	4660	145	145	150	150	6-12		4345	4790		
	M370	3700	3000		3400		2410	4380	4860	2410	4380	4860	145	145	150	150	6-6		4365	4810		
	M400	4000	2950		3250		2610	4680	5160	2610	4680	5160	145	145	150	150	6-6	*6-12	4410	4840		
	M425	4250	2800		3100		2735	4930	5410	2735	4930	5410	145	145	150	150	6-6	*6-12	4435	4860		
	M450	4500	2600	*2900	2900	*3000	2860	5180	5660	2860	5180	5660	145	145	150	150	6-6	*6-12	4460	4880		
	M500	5000	2200	*2550	2400	*2800	3160	5680	6160	3160	5680	6160	145	145	150	150	6-6	*6-6	4510	4920		
M550	5500	2000	*2400	2200	*2600	3410	6180	6660	3410	6180	6660	145	145	150	150	3-6	*3-6	4560	4960			
M600	6000	1500	*2000	1600	*2400	3660	6680	7160	3660	6680	7160	145	145	150	150	3-6	*3-6	4600	5000			
Wide View Full Free 2 Stage Mast	FM250	2500	3000		3500		1810	3190	3675	1810	3190	3675	1175	695	1175	695	6-12		4300	4740		
	FM300	3000	3000		3500		2060	3690	4175	2060	3690	4175	1425	945	1425	945	6-12		4335	4780		
	FM330	3300	3000		3500		2210	3990	4475	2210	3990	4475	1575	1095	1575	1095	6-12		4355	4800		
	FM350	3500	3000		3500		2310	4190	4675	2310	4190	4675	1675	1195	1675	1195	6-12		4380	4820		
	FM370	3700	3000		3500		2410	4390	4875	2410	4390	4875	1775	1295	1775	1295	6-6		4405	4840		
	FM400	4000	3000		3250		2610	4690	5175	2610	4690	5175	2025	1545	1975	1495	6-6	*6-12	4440	4870		
Wide View Full Free 3 Stage Mast	TFM435	4350	2800	*2900	3000	*3350	2025	5045	5525	2025	5045	5525	1435	955	1440	960	6-6	*6-6	4460	4860		
	TFM450	4500	2600	*2800	2800	*3200	2135	5195	5675	2135	5195	5675	1475	995	1480	1000	6-6	*6-6	4480	4880		
	TFM470	4700	2400	*2700	-	-	2175	5395	5875	-	5395	5875	1525	1045	1530	1050	6-6	*6-6	4490	-		
	TFM500	5000	2100	*2400	2300	*2800	2275	5695	6175	2275	5695	6175	1625	1145	1630	1150	6-6	*6-6	4555	5020		
	TFM550	5500	1650	*2250	1800	*2550	2455	6095	6575	2455	6095	6575	1825	1345	1830	1350	3-6	*3-6	4600	5070		
	TFM600	6000	1200	*2100	1300	*2300	2675	6695	7175	2675	6695	7175	2025	1545	2030	1550	3-6	*3-6	4650	5120		

NOTE: 1. For diesel, gas model: -90kg, dual wheels weight: +110kg.
 2. * (Front wheel) is dual wheels load capacity.